

自动针距 电脑平缝机

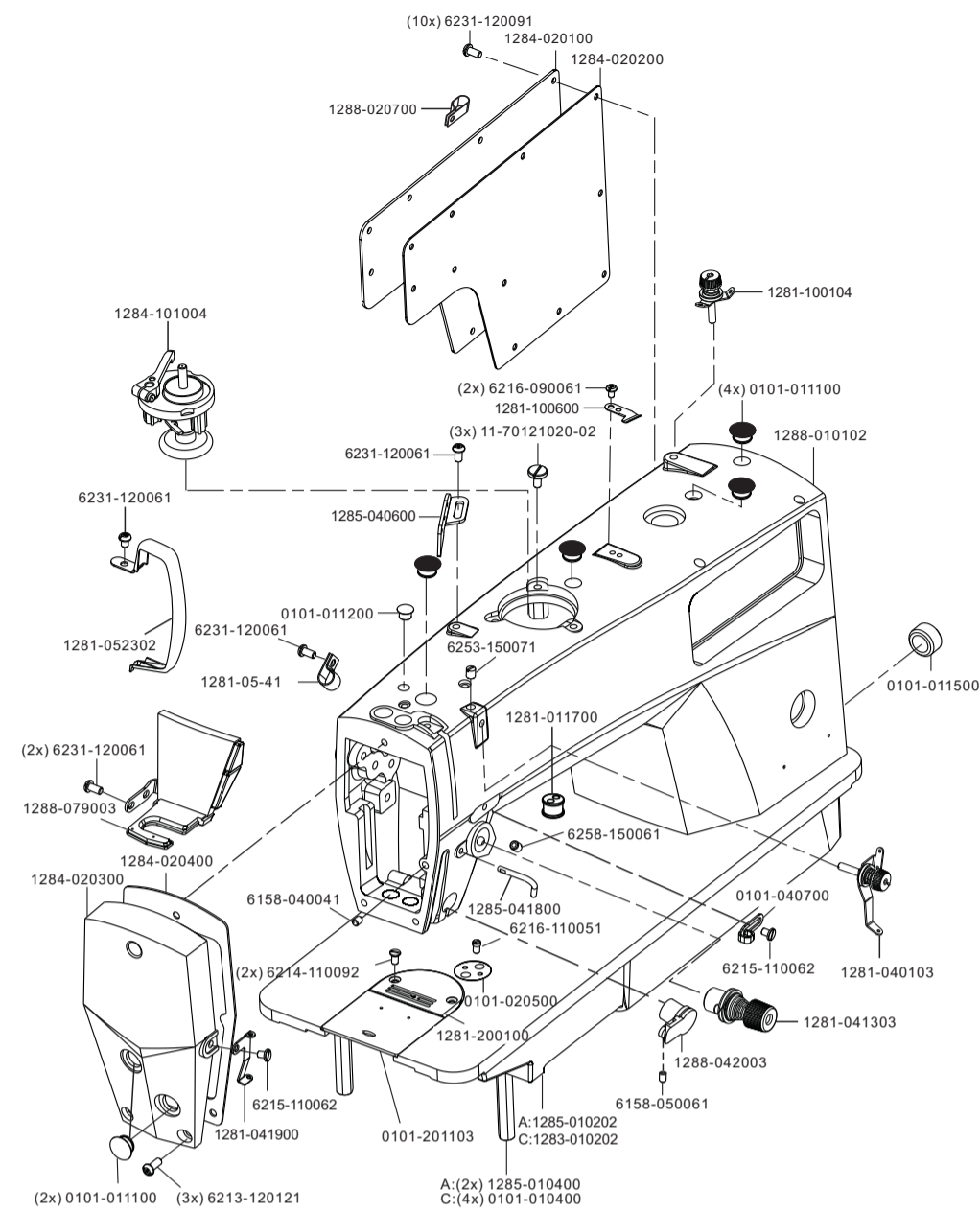
Integrated Auto-trimmer Lockstich,
With Auto-needle Gauge

Parts List **GB**

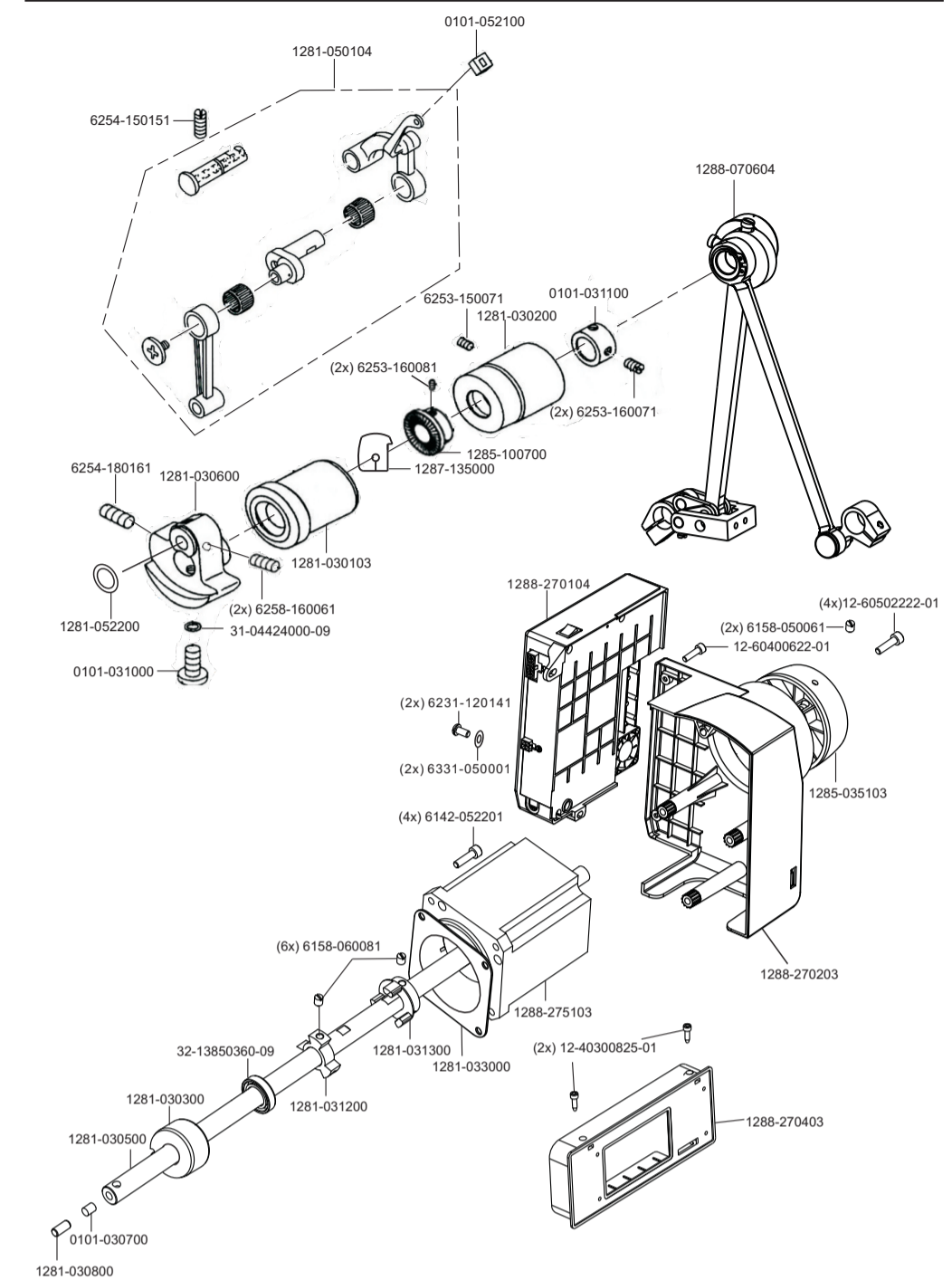
零件样本 **CN**

Edition版本 2020	Printed in China 中国印制	Part No.零件号 1288-330200
-------------------	--------------------------	----------------------------

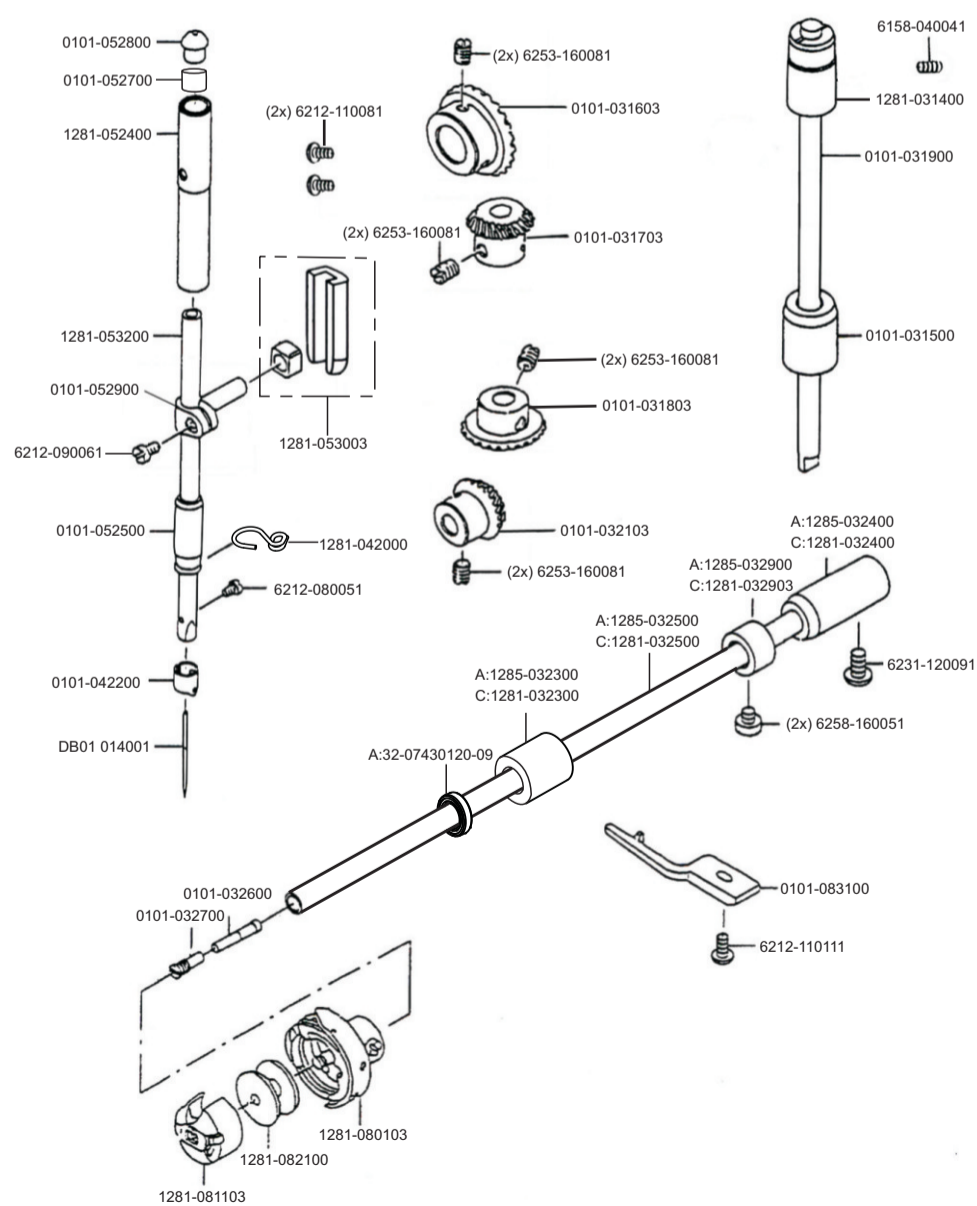
1.机壳部件 Frame Components



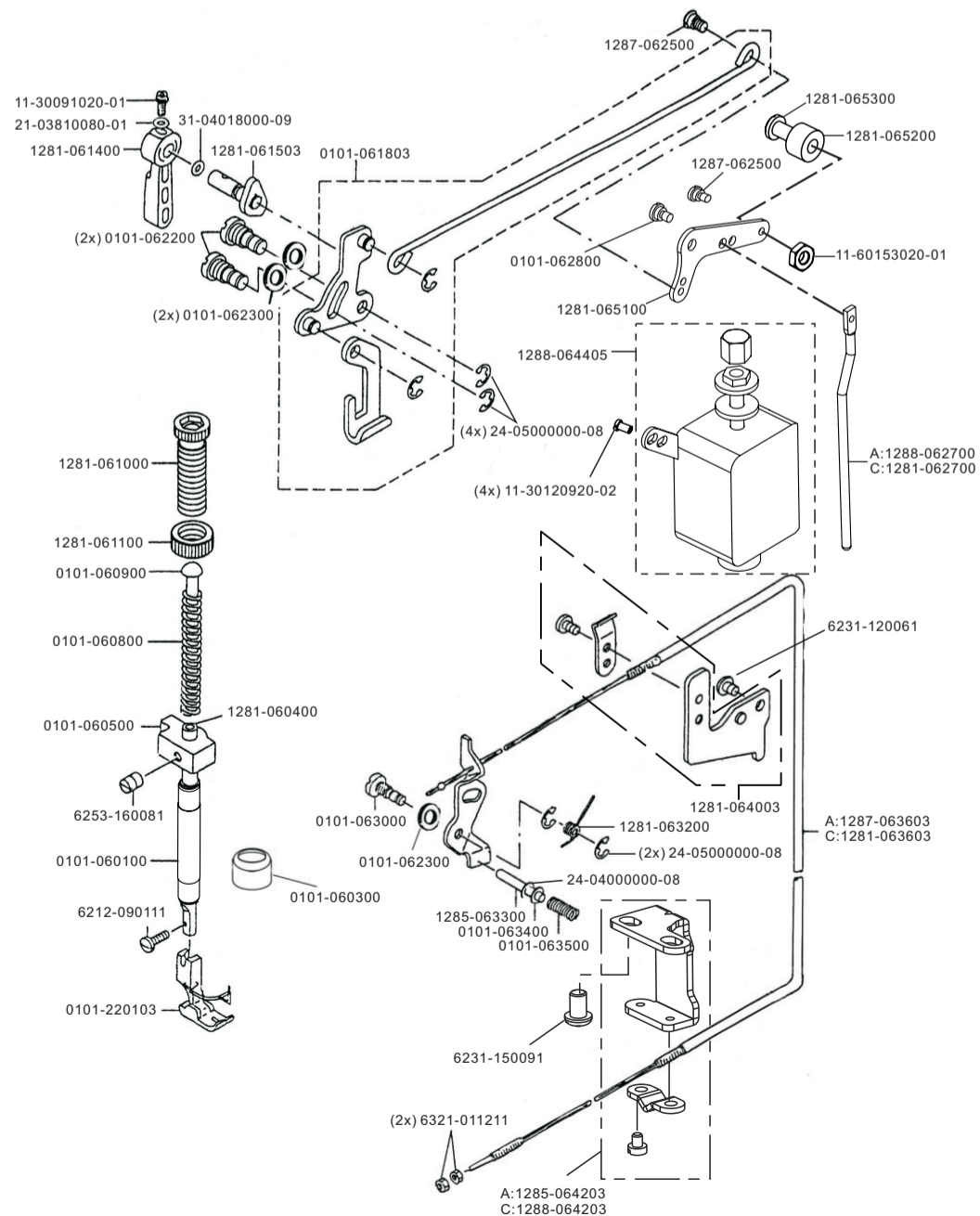
2.上轴及挑线部件 Main Shaft & Thread Take-up Components



3.针杆、竖轴、下轴部件 Needle bar, vertical shaft & hook driving shaft components



4.压脚部件 Presser bar components



5.送料部件 Feed mechanism components

