

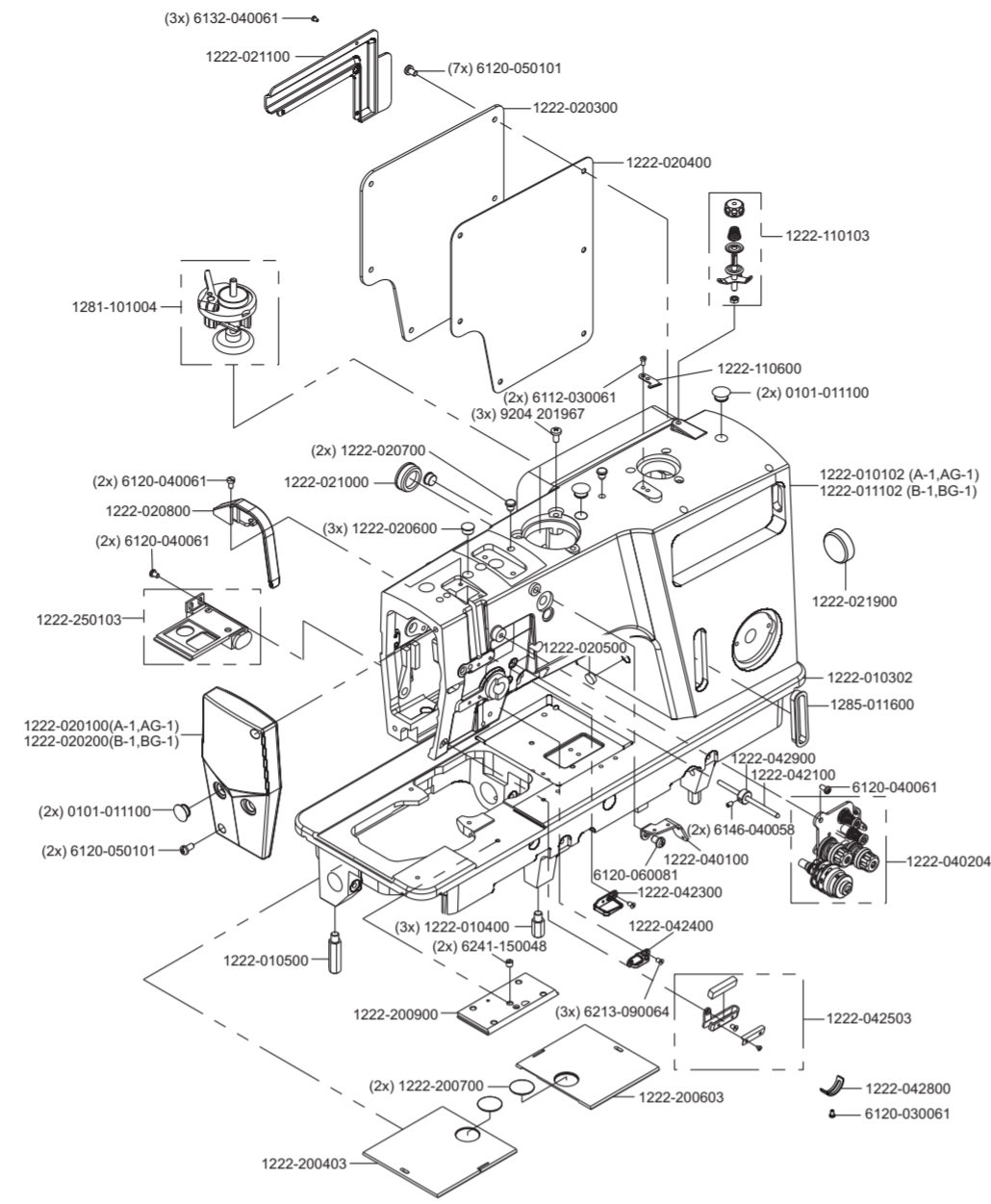
自动剪线双针机

Auto-trimmer Double Needle Machine

Parts List GB
零件样本 CN

Edition版本 2020
Printed in China 中国印制
Part No.零件号 6002-921203

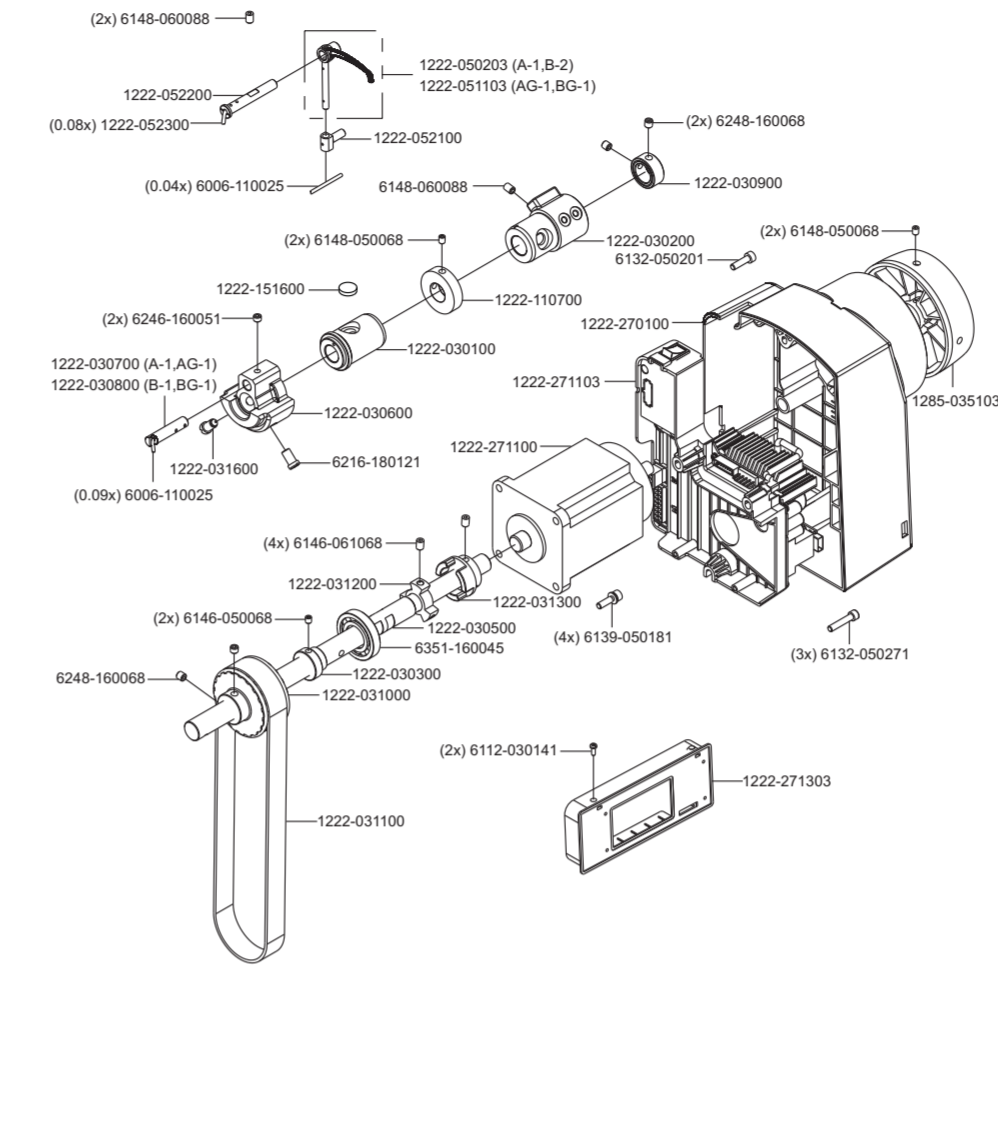
1.机壳部件 Frame Components



A:单针杆 Single rod needle
B:双针杆 Double needle bar
G:大旋梭 Large rotary shuttle
-1:四自动 Four automatic

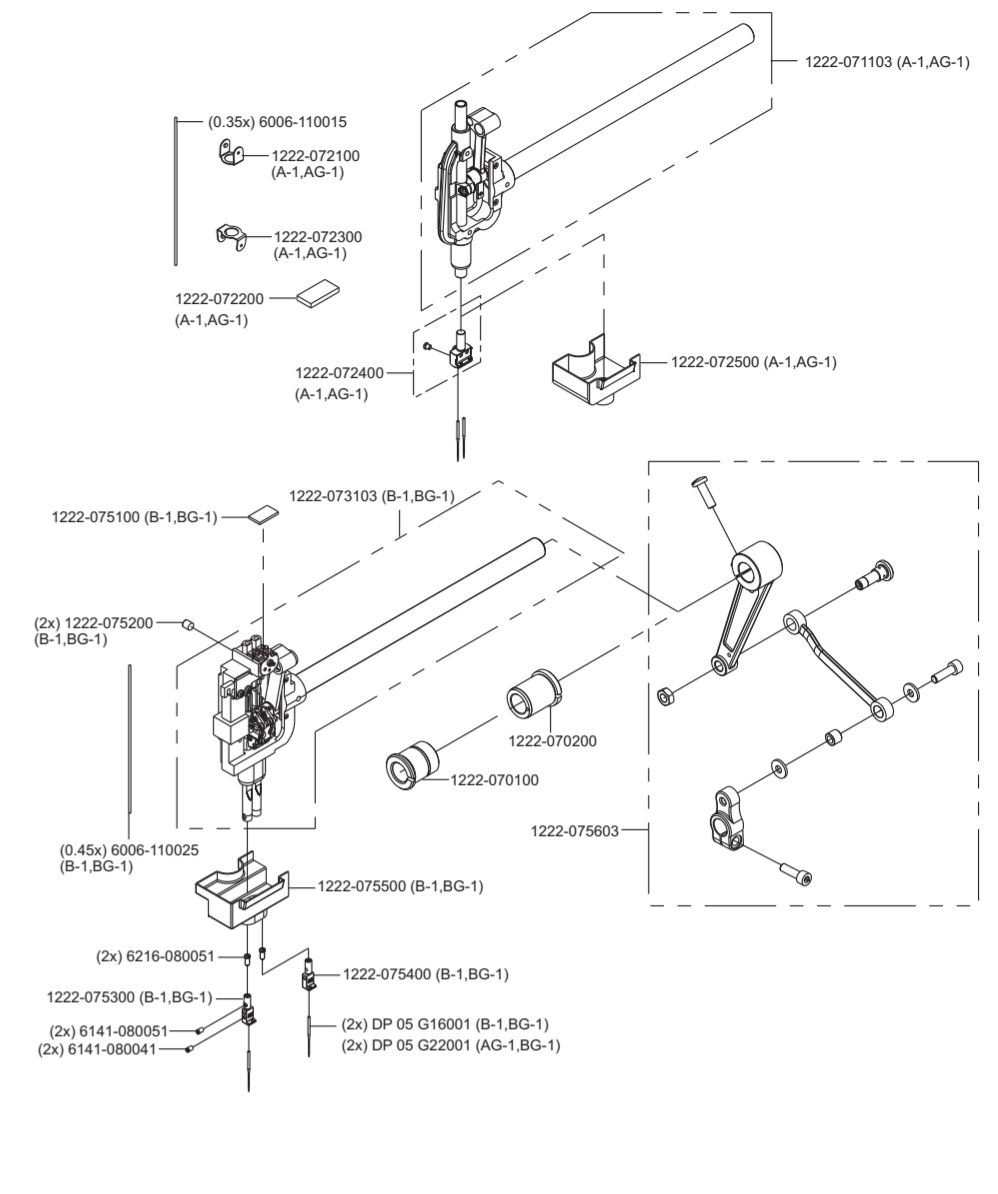
1

2.上轴及挑线部件 Main Shaft & Thread Take-up Components



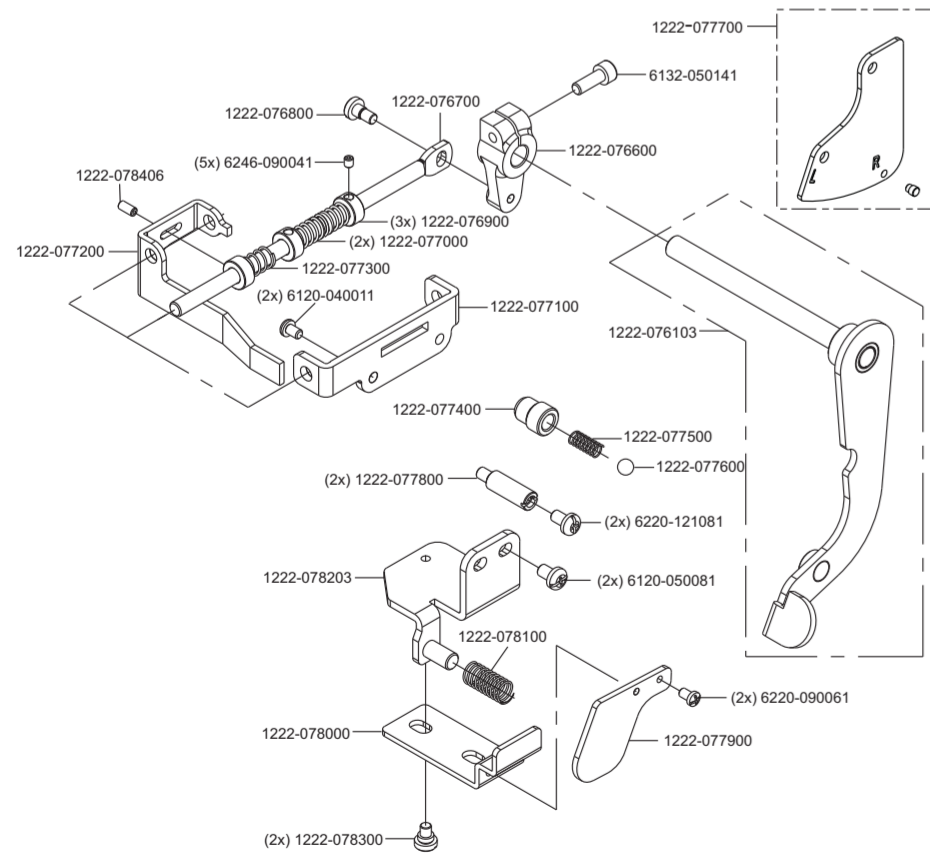
2

3.针杆支架部件 Needle Bar Bracket Components



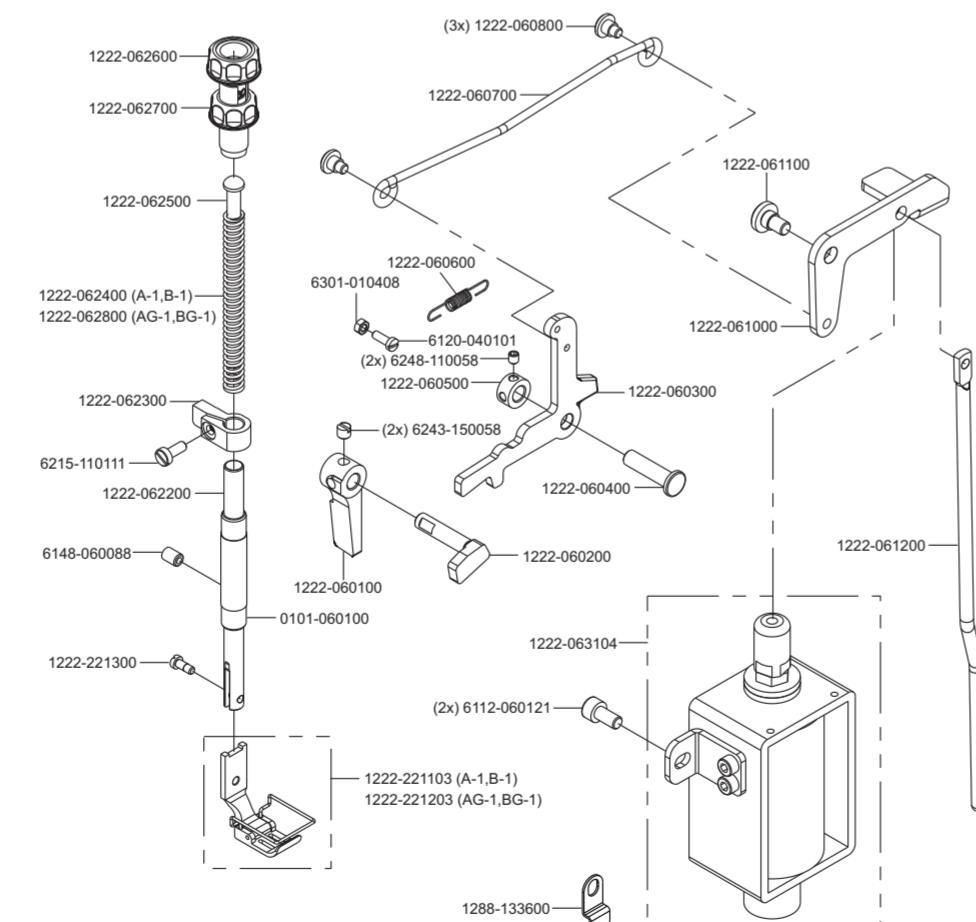
3

4.针杆切换部件(B-1, BG-1) Needle Bar Switching Components (B-1, BG-1)



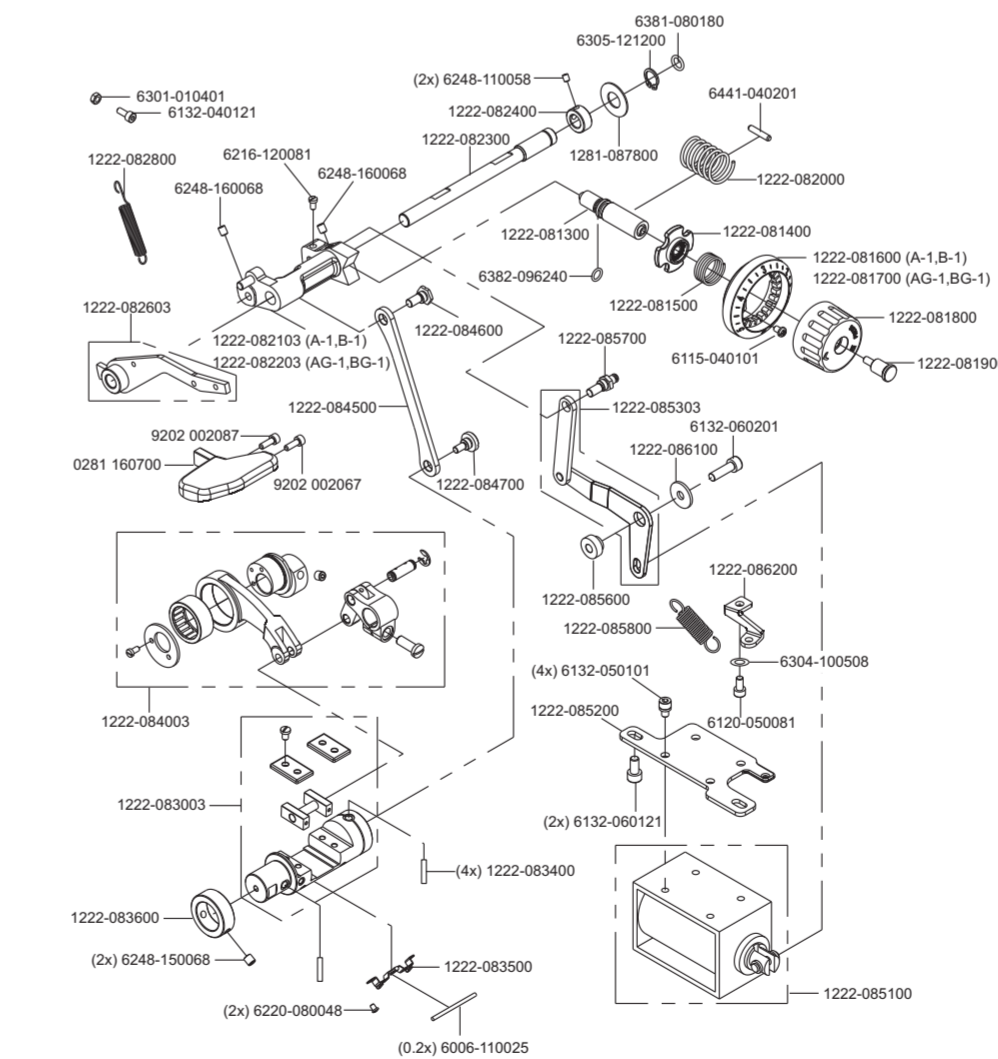
4

5.抬压脚部件 Press Foot Components



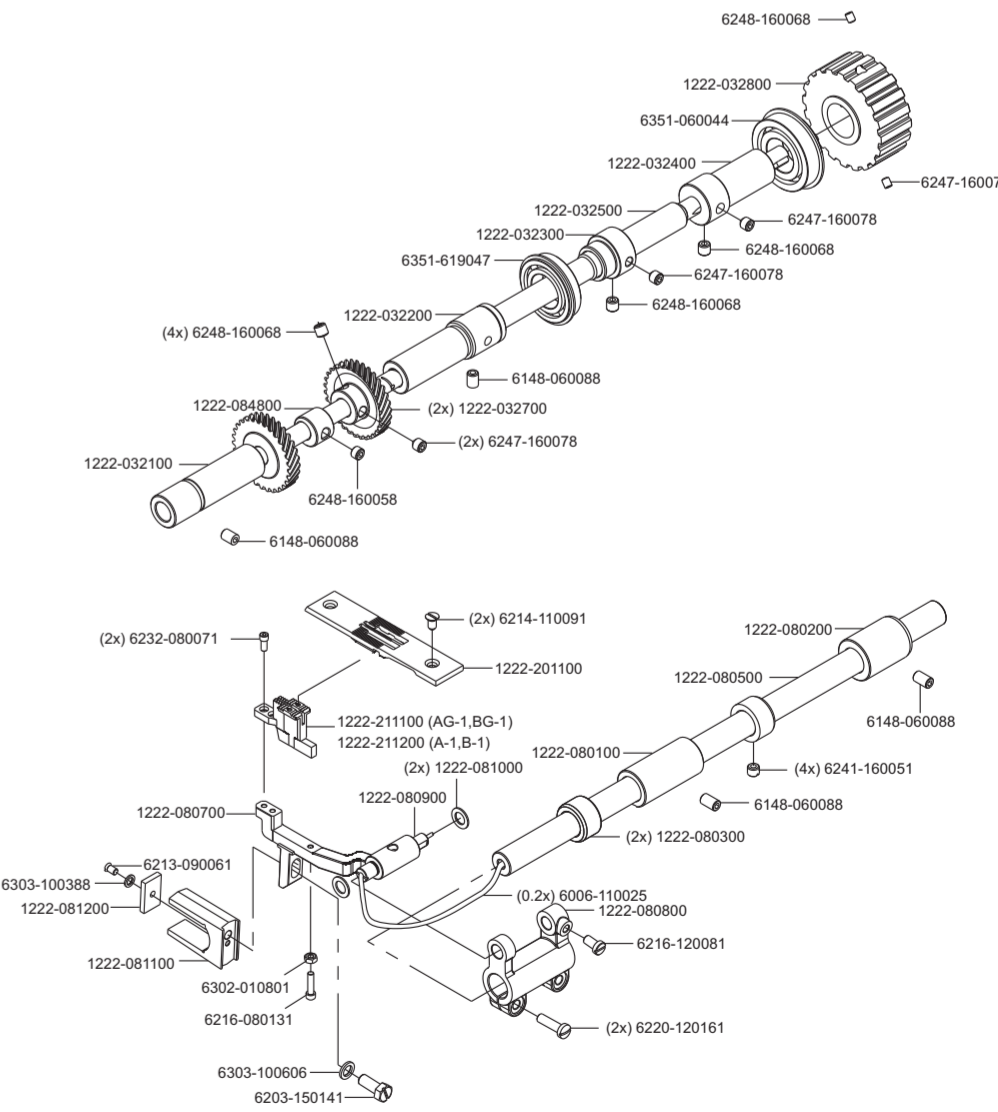
5

6.送料部件 Feed Mechanism Components



6

7.牙架及下轴部件 Tooth Rack And Lower Shaft Components



7

