

# 自动针距 电脑平缝机

Integrated Auto-trimmer Lockstich,  
With Auto-needle Gauge

Parts List **GB**

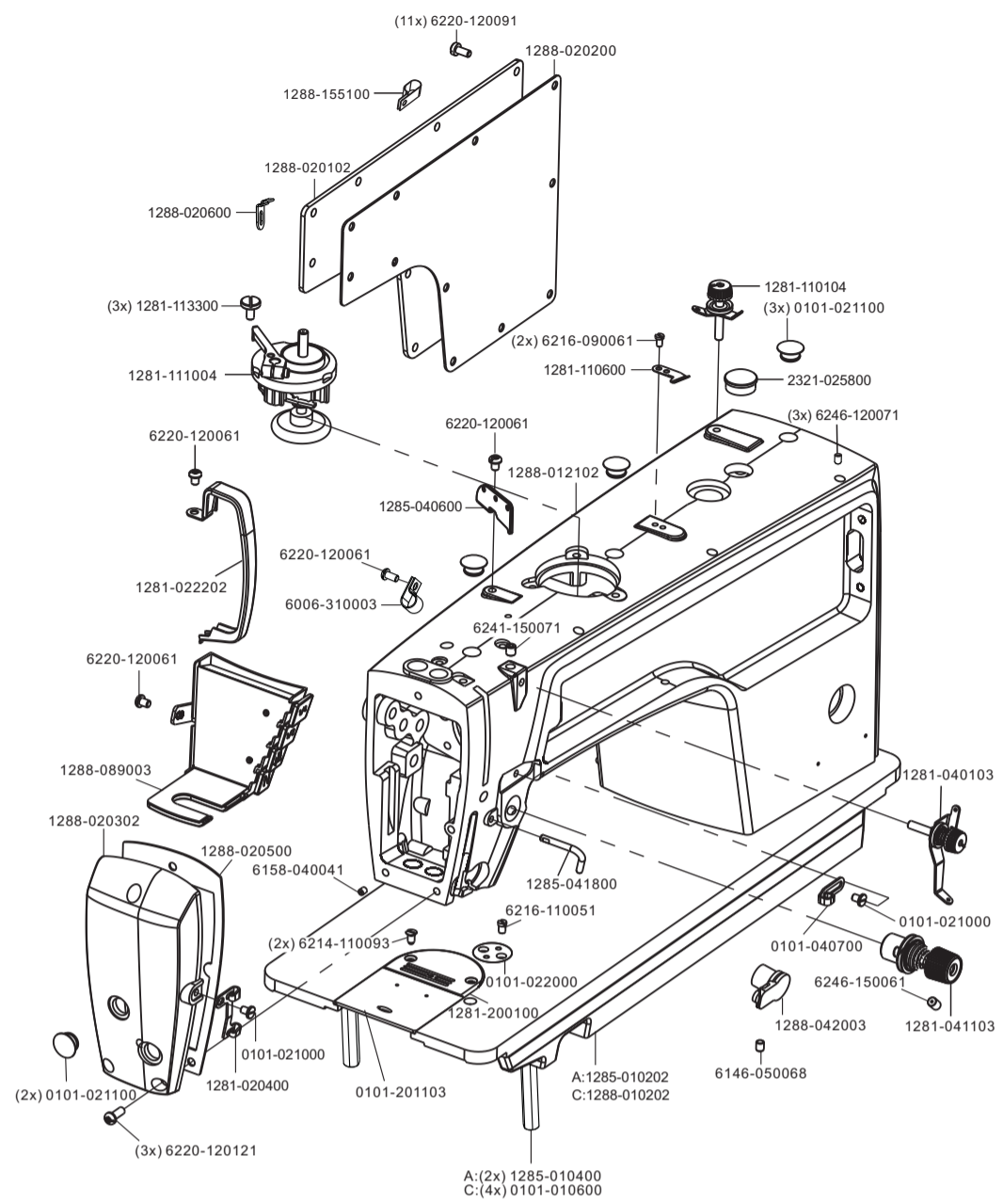
零件样本 **CN**

Edition版本  
2022

Printed in China  
中国印制

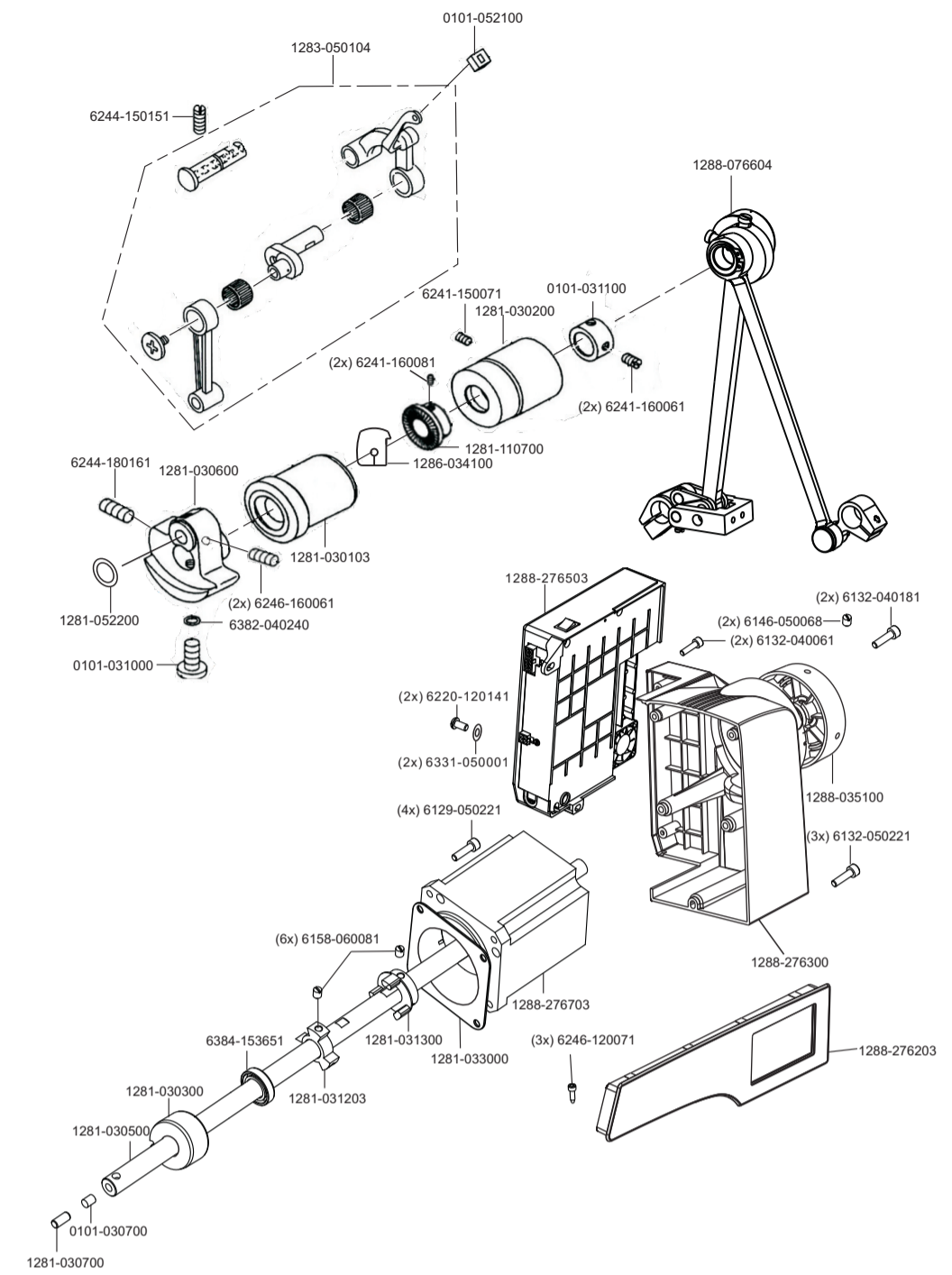
Part No.零件号  
6002-896203

## 1.机壳部件 Frame Components



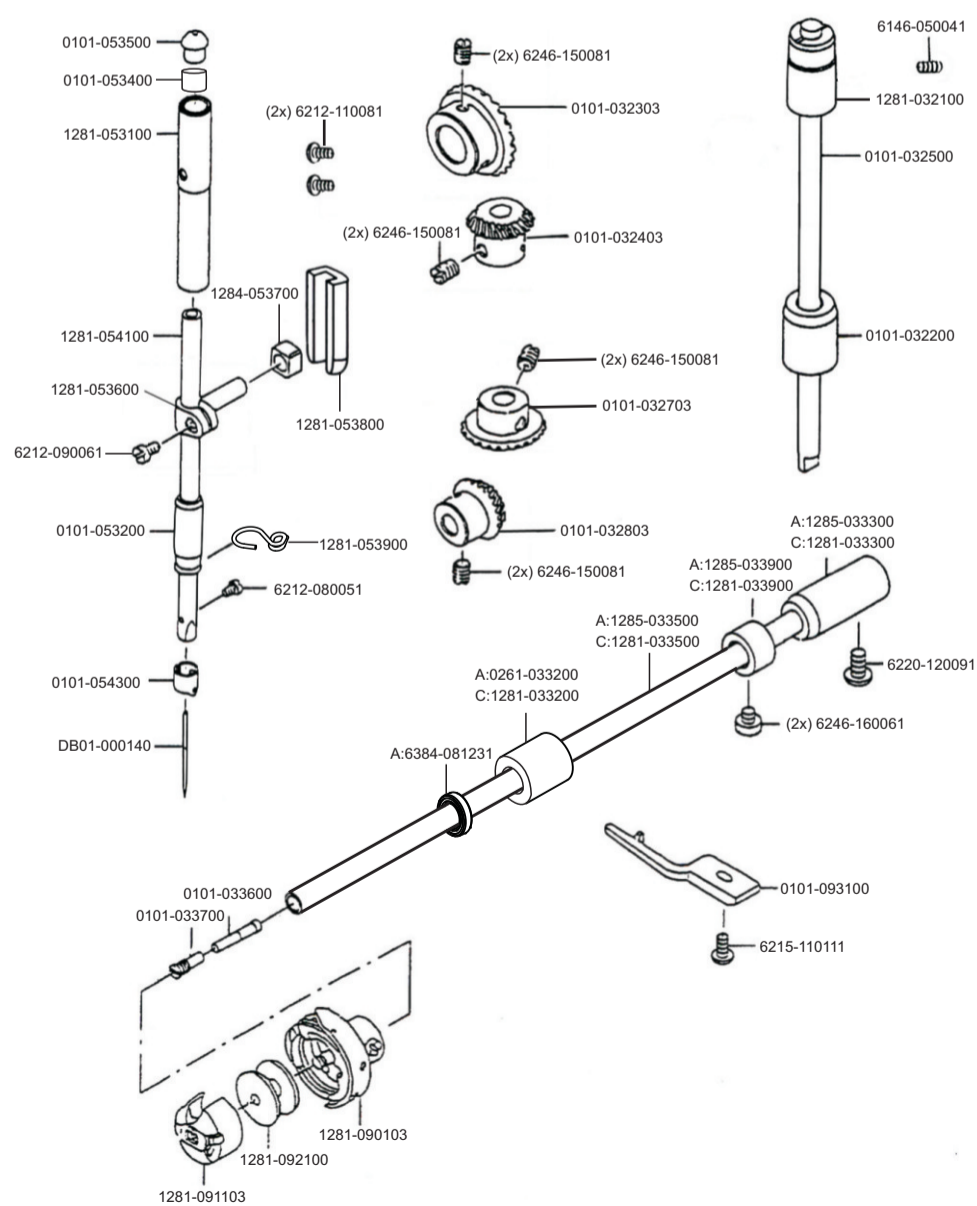
1

## 2.上轴及挑线部件 Main Shaft & Thread Take-up Components



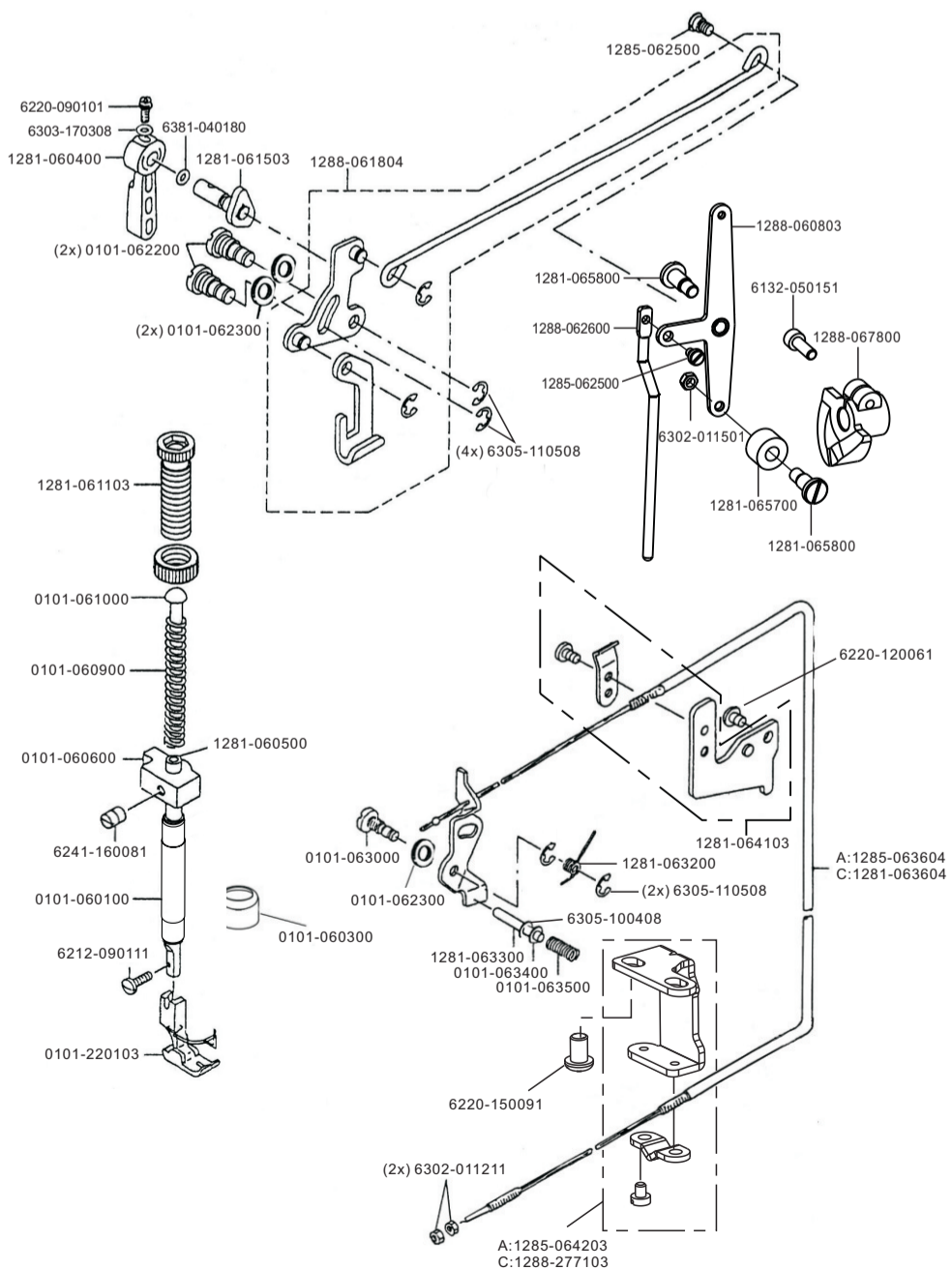
2

## 3.针杆、竖轴、下轴部件 Needle bar, vertical shaft & hook driving shaft components



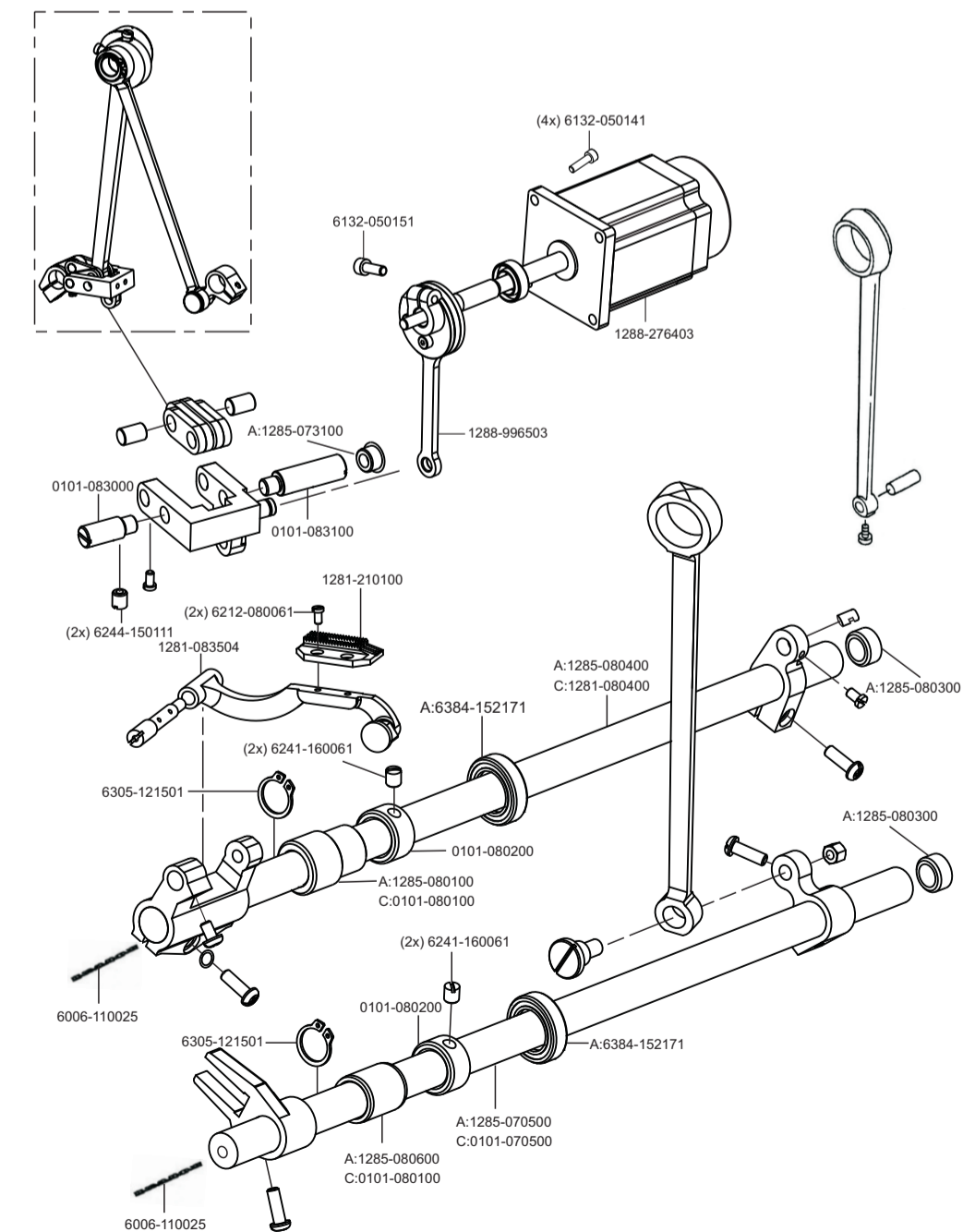
3

## 4.压脚部件 Presser bar components



4

## 5.送料部件 Feed mechanism components



5

